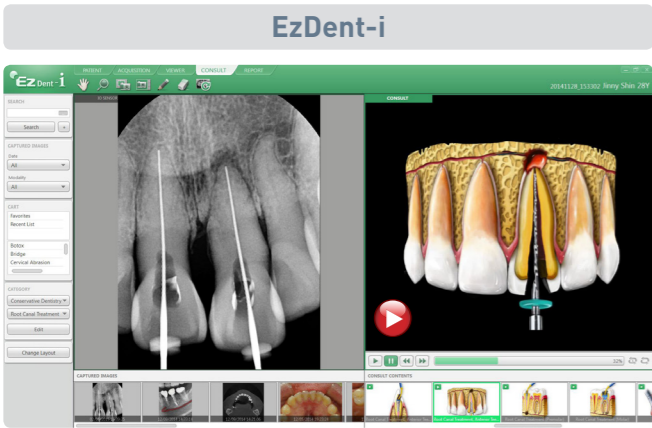
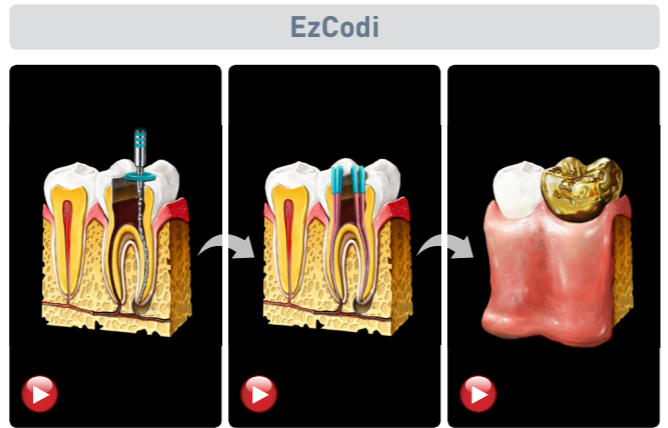


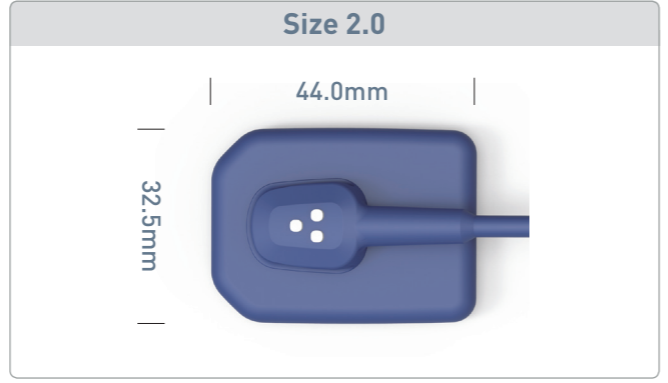
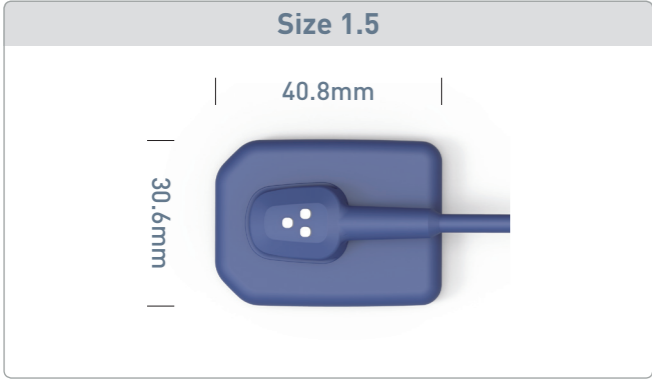
Diagnose and Consult Quickly and Easily  
**EzDent-i(2D Viewer) + EzCodi(Consultation)**



**Easy Diagnostic Software**  
 Diagnose quickly and easily utilizing the powerful tools within EzDent-i.



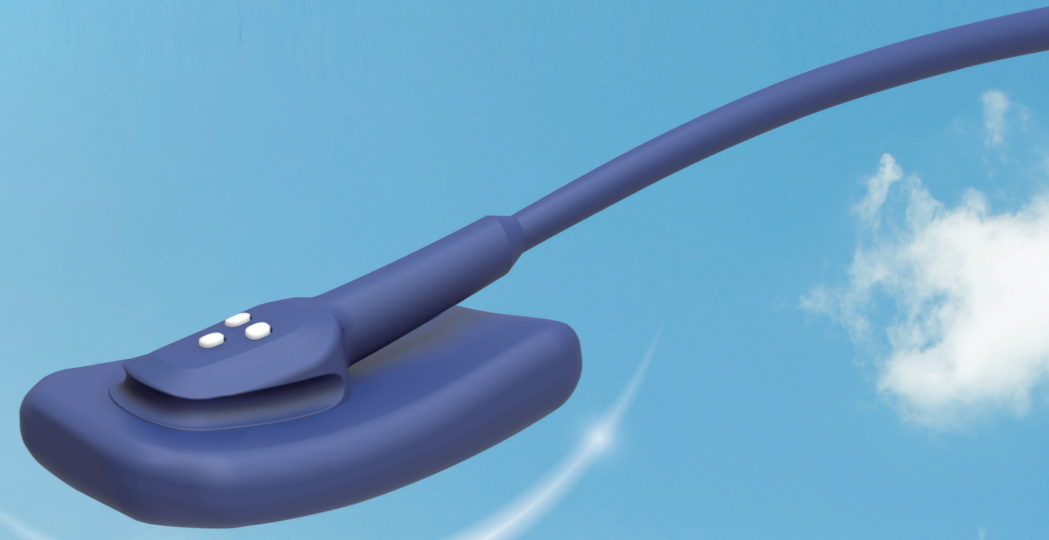
**Powerful Communication Tool (Optional)**  
 Help your patient understand your treatment plan better by utilizing EzCodi. With 244 animated clinical cases, EzCodi is a powerful tool which can help doctors increase case acceptance.



**Specifications** (Model Name: EzSensor Soft, EzSensor Soft i)

Detector	CMOS	Dimensions (WxLxT)	40.8 x 30.6 x 7.9 mm [1.5] 44.0 x 32.5 x 7.9 mm [2.0]
Pixel Size	14.8 μm	Active Area (WxL)	33.00 x 23.98 mm [1.5] 35.99 x 25.99 mm [2.0]
Theoretical Resolution	33.78 lp/mm	Exterior Material	Silicone (Bio-compatibility)
Dynamic Range	12 bit	Total Cable Length	Under 3m

\* The specifications are subject to change without prior notice.



**Shaped for comfort!**  
 | Pain Relief | Easy Positioning | Drop Resistant |

Vatech is continuously pursuing to produce "World's First Products".  
As a dental pioneer, we will continue to develop advanced products to improve diagnosis accuracy, usage convenience, faster workflow, and patient comfort.

"Quick & Easy Positioning!"



"How Comfortable!"

### Pain Relief & Easy Positioning

With reduced pain for the patient, the staff will be able to accurately position the Intra-oral sensor on the region of interest for diagnosis.

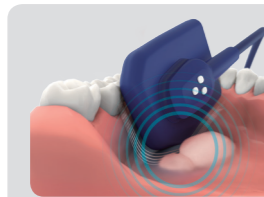
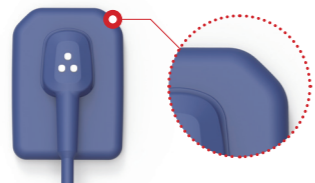
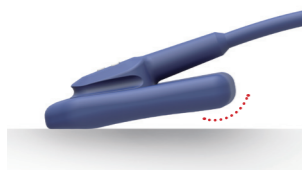
#### Patients "How Comfortable!"

Taking images with rigid edge sensors can be a painful experience, as the patient's pain is sometimes caused by the high pressure when placing the sensor. **EzSensor Soft is different.** This soft sensor can reduce patient discomfort thanks to its patient-oriented design.

Soft and elastic touch

Ergonomically rounded and cut edge

Suitable for small arches



#### Every Doctor has sensitive patients. Like...

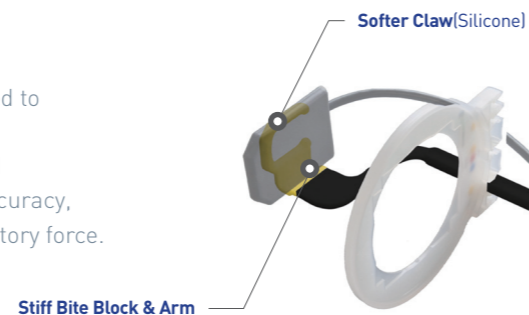
In particular, patients go through severe pain and gagging due to their irritated tori, doctor should give more attention when positioning. The EzSensor Soft is one that can help appease the pain and situation.

As it clings to the patient's rounded arch softly, the ergonomically curved shape prevents the sensor from slipping in the mouth. This not only helps the patient feel less pain, but also minimizes the patient's movement. With the EzSensor Soft, doctors can achieve superior image quality by reducing image retakes.



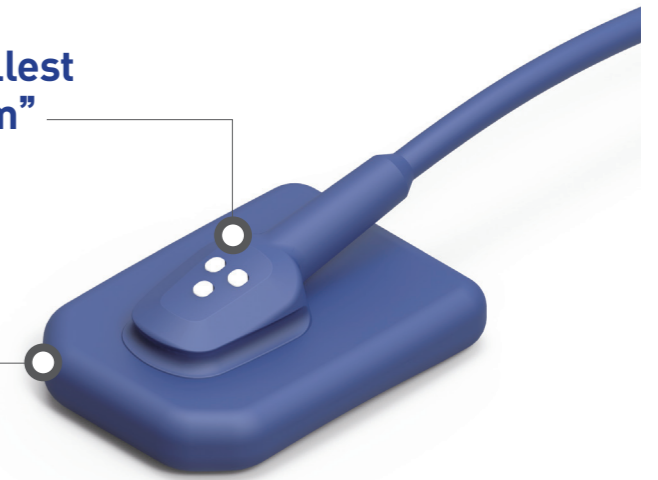
#### More Comfort, better care

Furthermore, our 'EzSoft' cone indicator is designed to maximize patient comfort and sensor positioning. The softer claw lets you finely adjust the tension and the stiff bite block & arm ensures the positioning accuracy, sustaining its original angle(90°) against the masticatory force.



"The world's smallest pixel size 14.8 μm"

"Drop Resistant"



### The Smallest Pixel & Drop Resistant

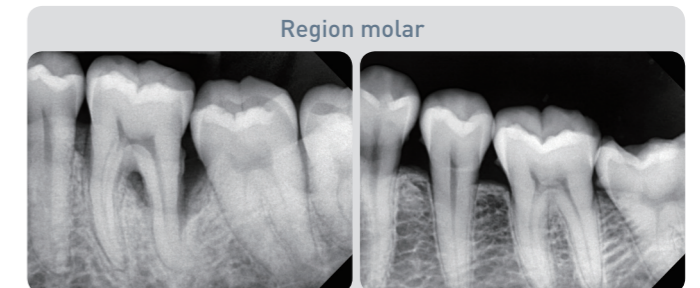
It consistently provides higher resolution and clearer images for accurate diagnosis and treatment planning.

#### Doctors "It's the world's smallest pixel size!"

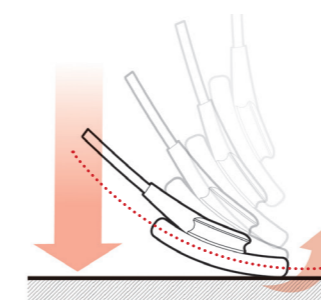
With the market entrenched with conventional digital sensors, the industry hasn't seen truly innovative technology in years.

**VATECH's EzSensor Soft is different with 14.8 μm!**

Accurate diagnostic images will be captured with the world's smallest pixel size. At 14.8 μm, the EzSensor Soft has a theoretical resolution of 33.78lp/mm.



#### Durable Sensor Materials



Usually, when a sensor is accidentally dropped or stepped on, it succumbs to damages.

**The EzSensor Soft's soft exterior can help prevent that!**

The rubberlike exterior can withstand external impact if the sensor is dropped thus reducing the risk of damage.